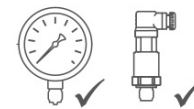


Pressure Gauges / Diaphragm Seals / Diaphragm Group Types / DS0566 Nut / Clamp Connections

CONSTRUCTIVE PROPERTIES

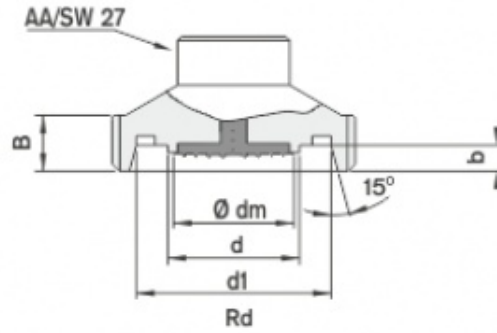
	STANDARD	OPTIONAL
Scale Unit	bar	-
Scale Range (PN)	0/2,5 0/4 0/6 0/10 0/16 0/25 0/40	
Upper Body Material	AISI-316L	Hastelloy C276 Monel 400
Material of Membrane	AISI-316L	Hastelloy C276 Monel 400 PTFE
Instrument Connection	G 1/2"	-
Assembling	Direct Connection	Capillary Clamp (Max. 4 m.) Cooling Tower Capillary with SS armour covered (Max. 4 m.)
Process Connection	Screw Connections	Nut / Clamp Connections
Filling Liquid	Silicon Oil	-
Sealing	Viton	PTFE
Accuracy Class % (Will be added to instrument accuracy)	±0,5% Direct Mounting	±1% Capillary Mounting



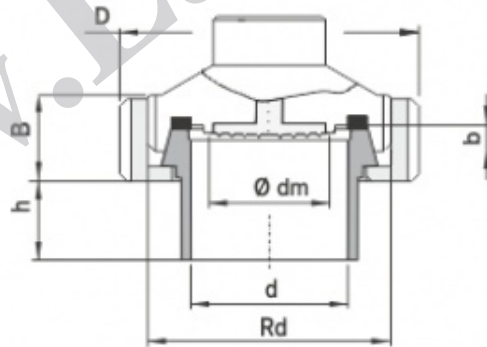
DS0566
Nuts / Clamp Connections

USAGE PROPERTIES

Storage Temperature	-40 ... +70 °C	
Process Temperature	-45/+150°C	
Leakage Test	Helium Sniffer Leakage Test	
Conformity	NACE MR 1075 Oxygen Service DIN ANSI	



Rakor Bağlantılı Konik Yataklamalı PN 40 bar							
DN	Ø dm	d	d1	b	B	Rd	Model #
25	28	29	40	7	15	52x1/6"	DS 0566 14
32	34	35,2	46			58x1/6"	DS 0566 15
40	42	43,5	52			65x1/6"	DS 0566 16
50	46	48	69,5	8	16	78x1/6"	DS 0566 17



Kaynak Boyunlu Somunlu Konik Yataklamalı PN 40 bar							
DN	Ø dm	d	D	b	B	Rd	Model #
25	28	25	63	7	21	52x1/6"	DS 0566 34
32	34	32	70			58x1/6"	DS 0566 35
40	42	40	78			22	65x1/6"
50	46	50	92	8	23	78x1/6"	DS 0566 37